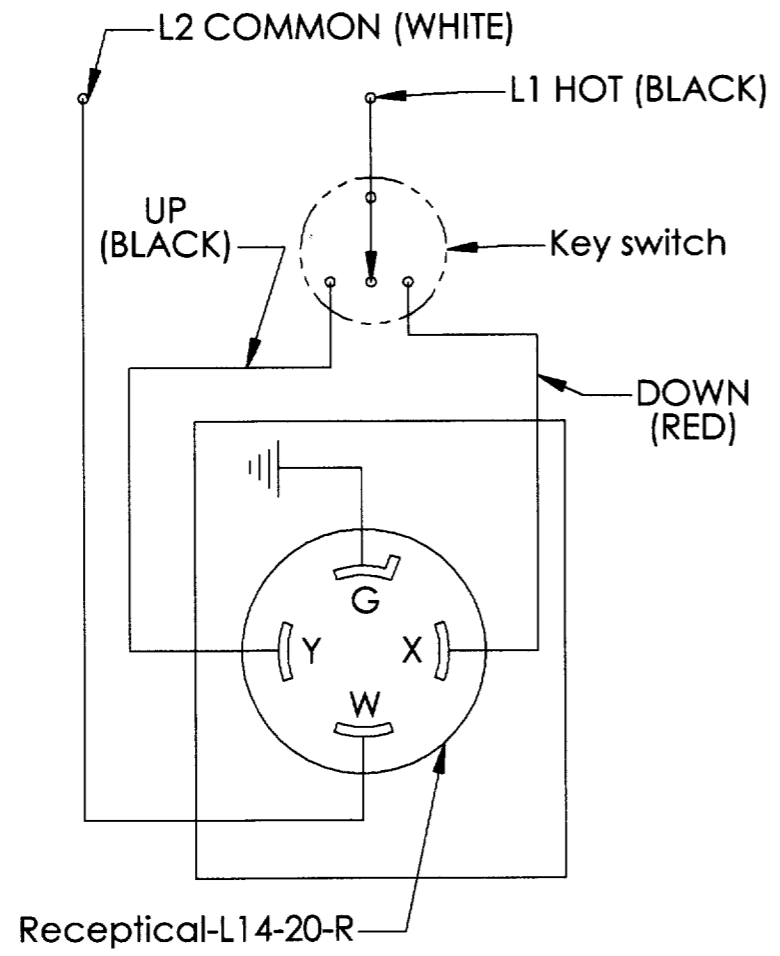
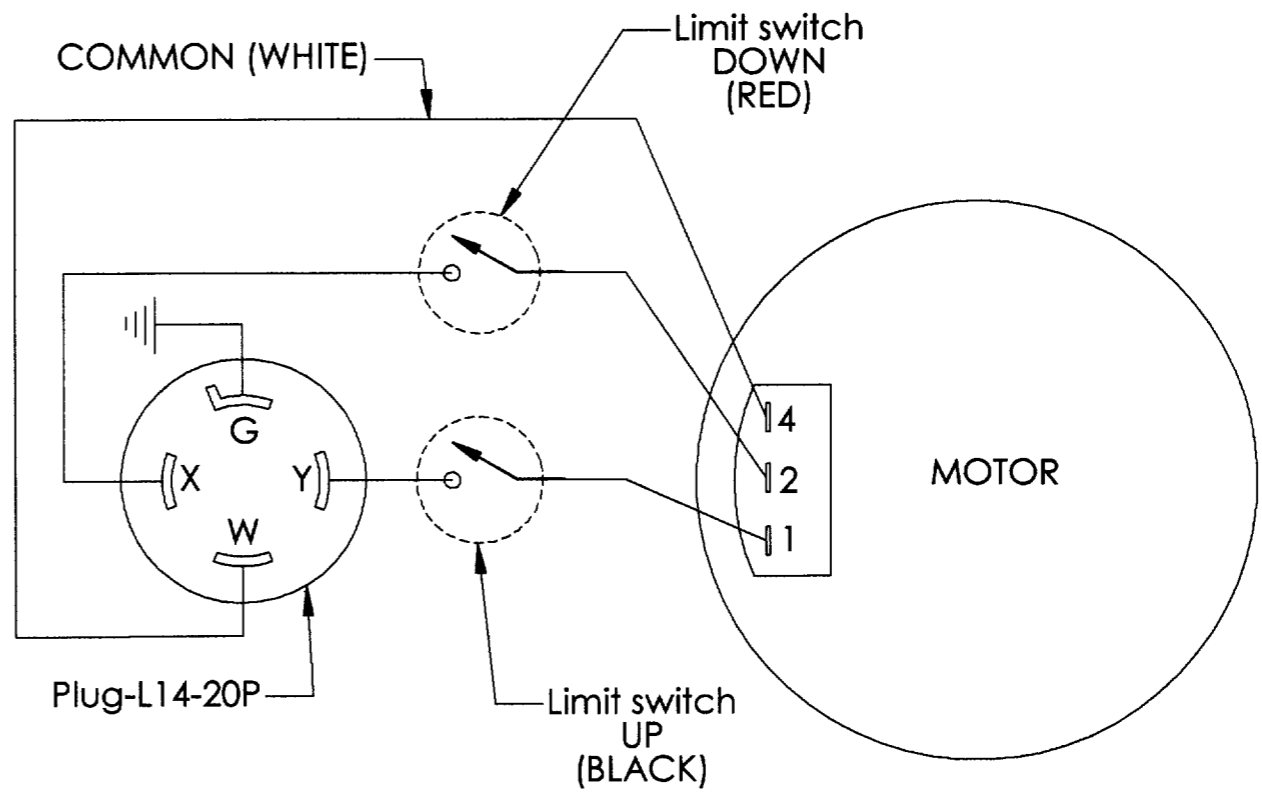


REVISIONS			
REV.	DESCRIPTION	DATE	APPROVED
00	Initial release	12/10/03	<i>[Signature]</i>

**Key switch to receptical wiring schematic for Lynrus QR3 hoist with pigtail**



**Lynrus QR3 hoist wiring schematic with pigtail**



**ORIGINAL**

DEC 14 2003

COPYRIGHT-LYNRUS ALUMINUM PRODUCTS-ALL RIGHTS RESERVED  
 INFORMATION IN THIS DOCUMENT IS CONFIDENTIAL AND IS THE SOLE PROPERTY OF LYNRUS ALUMINUM PRODUCTS. ANY REPRODUCTION IN PART OR IN WHOLE, OR DELIVERY OF THIS DOCUMENT OR ANY COPY THEREOF OR DISCLOSURE OF SUCH INFORMATION TO UNAUTHORIZED PERSONS IS PROHIBITED.

UNLESS OTHERWISE SPECIFIED DIMENSIONS ARE IN INCHES  TOLERANCES ARE: FRACTIONS DECIMALS ANGLES ± 1/32 .XX ± .015 ± 1° .XXX ± .005 DO NOT SCALE DRAWINGS	CAD GENERATED DRAWING. PERMANENT UPDATES ARE TO BE MADE IN THE ORIGINAL CAD FILE LISTED.		<b>LYNRUS ALUMINUM PRODUCTS</b> 204 W. 1700 S., SALT LAKE CITY, UT 84115 801-486-8104, FAX 801-486-8106	
	APPROVALS	DATE	QR3-pigtail wiring schematic	
MATERIAL	DRAWN C. ORINO	12/15/2003	CAD FILE: QR3-pigtail wiring schematic.slddrw	
FINISH	RESP. ENG. <i>[Signature]</i>	12/15/03	SIZE B	PART. NO. N/A
	MFG. ENG.		SCALE: 1:1	REV. 0
	PROD.		SHEET 1 OF 1	
	MTCM.			